



WALCOOM

Walcoom Corporation



WEDGE WIRE

www.walcoom.com
E-mail: sales@walcoom.com

"A good solution for filtering and screening industries"

Walcoom Corporation has been offering the strong and durable wedge wire products for 20 years. We are specialized in wedge wire screen producing and exporting. Advanced production equipment, skilled workers, professional sale representatives and considerate after sale service contribute our high quality products and long term cooperation with our customers.



Wedge wire, also called wedge wire screen, is mainly made of stainless steel. And wedge wire products include wedge wire nozzle, cylinder, support grid and lateral assemblies. The size of the pores on the one side is smaller than the pores on the other side, so the wedge wire can greatly filter something from the small pore side to the large pore side without clogging. Featured by high mechanical strength and filtering efficiency, it is popular for filtering and screening, and widely used in mining, coal, petroleum, fertilizer, grain and environmental protection industries.

Feature

- High quality steel for high strength.
- High filtering efficiency without clogging.
- Various types and sizes for choice.
- Corrosion and rust resistance.
- Easy installation and replacement.
- Durable and long service life.

Specification

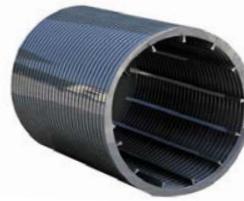
- **Material:** stainless steel, hastelloy steel, nickle alloy steel or other alloy steel.
- **Filter profile:** triangle wire.
- **Support profile:** flat, triangle wire, round wire, trapezoid wire.



Axial flat support wire



Axial round support wire



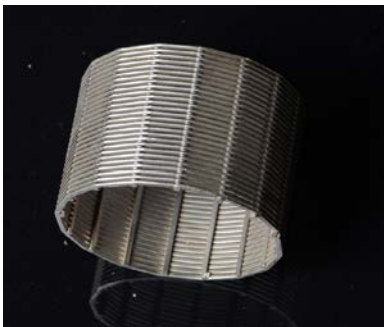
Radial triangle support wire



Radial trapezoid support wire

Application

Wedge wire is popular for filtering and screening and widely used in mining, coal, petroleum, fertilizer, grain and environmental protection industries.



Wedge wire screen support grid



Wedge wire screen support grid is made of stainless steel or nickle alloy, which mainly includes the wedge wire screen and frame. There are whole type and joint type support grids for choice. The whole type is often in small diameter and the large diameter grid is divided into several parts for easy transportation. Compared with woven wire mesh or perforated mesh, wedge wire is featured by the continuous

slots. With high strength, perfect filtering performance and long service life, it is widely used for carbon filters and molecular sieves.

Advantage of wedge wire screen support grid

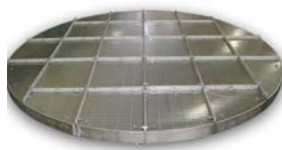
- High strength and durability.
- High open area and precise opening.
- Perfect filtering property without clogging.
- Corrosion and rust resistance.
- High and low temperature resistance.
- Smooth surface and long service life.

Specification of wedge wire screen support grid

- **Material:** stainless steel, nickle alloy.
- **Components:** wedge wire screen, frame and other accessories.
- **Type:** whole type, joint type.



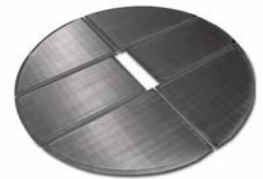
Whole wedge wire
screen support grid



Joint wedge wire
screen support grid



Round space joint
wedge wire grid



Rectangular space
wedge wire grid

Wedge wire nozzle

Wedge wire nozzle with high strength and durability is mainly made of high quality stainless steel, including single wedge wire nozzle and double wedge wire nozzle. And the single wedge wire



nozzle has plate type and long hand type for choice. With high filtering efficiency, corrosion resistance, temperature resistance and easy installation, wedge wire nozzle has a wide range of water treatment and other industrial applications for filtering and screening. Besides, several wedge wire nozzles can be used together as collectors at the bottom of vessels.

Advantage of wedge wire nozzle

- High strength and durability.
- High filtering efficiency without clogging.
- Corrosion and rust resistance.
- High temperature resistance.
- Easy installation and replacement.

Specification of wedge wire nozzle

- **Material:** stainless steel, alloy steel.
- **Slot size:** 0.18–0.5 mm.
- **Type:** single wedge wire nozzle, double wedge wire nozzle.

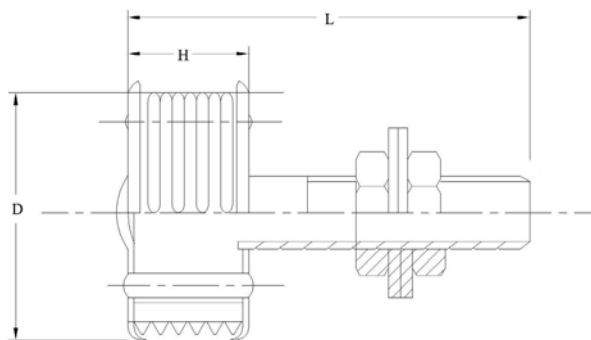


Single wedge wire nozzle



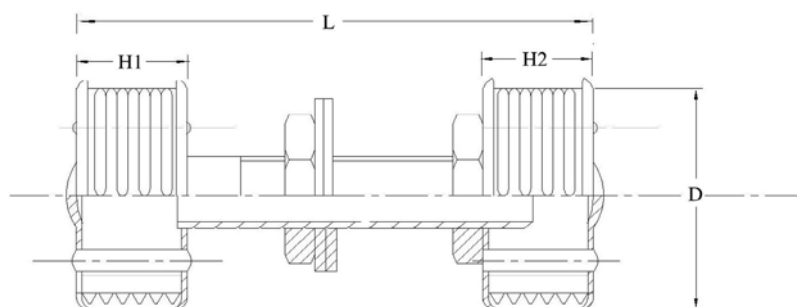
Double wedge wire nozzle

Table 1: Specification of Single Wedge Wire Nozzle

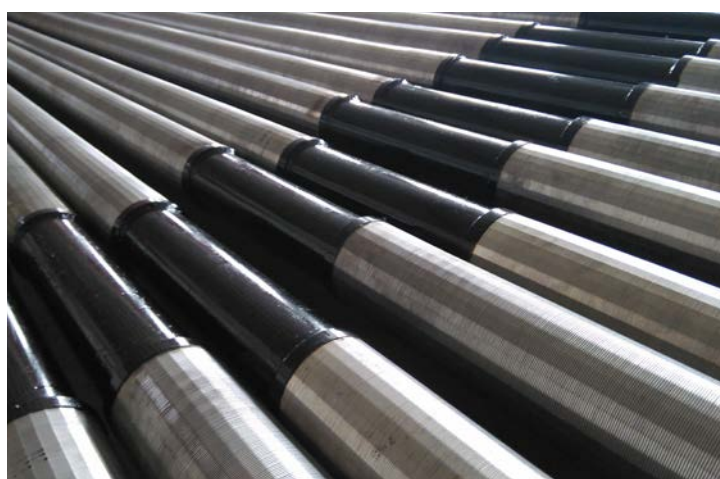


Item	D (mm)	H (mm)	L (mm)	Slot Size (mm)	Flow Area (mm ²)
WWNS-01	45	30	180	0.18–0.5	380–493
WWNS-02	45	40	190	0.18–0.5	551–690
WWNS-03	53	40	190	0.18–0.5	453–597
WWNS-04	53	50	200	0.18–0.5	680–710
WWNS-05	53	40	235	0.18–0.5	800–920
WWNS-06	57	40	190	0.18–0.5	560–670
WWNS-07	57	50	200	0.18–0.5	780–905

Table 2: Specification of Double Wedge Wire Nozzle



Item	D (mm)	L (mm)	H1 (mm)	H2 (mm)	Slot Size (mm)	Flow Area (mm ²)
WWND-01	45	110–170	34	34	0.18–0.5	390–493
WWND-02	45	110–170	44	44	0.18–0.5	551–690
WWND-03	53	120–180	34	34	0.18–0.5	453–597
WWND-04	53	120–180	44	44	0.18–0.5	680–710
WWND-05	57	120–180	50	50	0.18–0.5	800–1000
WWND-06	60	120–180	50	50	0.18–0.5	950–1188



Wedge wire screen cylinder

Wedge wire screen cylinder, mainly made of stainless steel, is composed of working profile and support profile. The surface profile is triangle wire and the support profile can be triangle wire, round wire or square wire. Wedge wire screen cylinder has high strength and perfect durability. Featured by the accurate slot dimension, filter property

and long service life, it is widely used for petroleum industry, chemical industry, water treatment industry. Besides, it's also used for drilling construction, geothermal development, hydro-geological exploration and some high load filtering.

Advantage of wedge wire screen cylinder

- High strength and open area.
- Accurate slot dimension and filter property.
- Corrosion and rust resistance.
- Various types and sizes for choice.
- Durable and long service life.

Specification of wedge wire screen cylinder

- **Material:** stainless steel 304, 304L, 316, 316L, 321, etc.
- **Type:** radial internal type, radial external type, axial internal type, axial external type.



Radial internal
wedge wire tube



Radial external
wedge wire tube



Axial internal
wedge wire tube



Axial external
wedge wire tube

- **Filter profile:** triangle wire.
- **Support profile:** flat wire, round wire, triangle wire, trapezoid wire.
- **Slot size:** 0.05–35 mm.
- **Cylinder diameter:** 10–1500 mm.
- **Length:** 0.3, 0.6, 1, 2, 3, 6, 12 m, other lengths available as request.
- **Edge type:** standard type, end ring type, flange type.



Standard wedge
wire screen cylinder



Ring wedge wire
screen cylinder



Flange wedge wire
screen cylinder

- **Reinforcement wedge wire screen cylinder type:** rod type, frame type.



Rod type wedge wire screen cylinder



Frame type wedge wire screen cylinder

Wedge wire lateral assemblies



Wedge wire lateral assemblies, also called header lateral assemblies, is made of several wedge wire screen laterals and supporting round hub. There are thread ending and flange ending wedge wire screen laterals for choice to suit different machines. Because of the different lateral endings, the connection types of lateral assemblies are also different including thread connection and flange connection. Featured by the different designs, wedge wire lateral assemblies are widely used in under draining applications for filtering. Besides, it also can be used in various machines for screening.

Advantage of wedge wire lateral assemblies

- High strength and rigidity.
- High open area for filtering efficiency.
- Corrosion and rust resistance.
- Temperature resistance.
- Easy to install and replace.
- Durable and long service life.

Specification of wedge wire lateral assemblies

- **Material:** stainless steel, hastelloy steel or other alloy steel.
- **Slot size:** 0.05 mm, 0.1 mm, 0.2 mm, 0.3 mm, 0.5 mm, 1 mm.
- **Assemblies end type:** thread type, flange type.



Thread ending wedge wire lateral



Flange ending wedge wire lateral

- **Wedge wire lateral assemblies type**
- **Common wedge wire lateral assemblies**
 - Connection type



Thread wedge wire assembly



Flange wedge wire assembly



Top flange wedge wire assembly



Bottom flange wedge wire assembly

- **Screen lateral diameter (mm):** 32, 40, 70, 76, 89.
- **Vertical hub diameter (mm):** 76, 89, 108, 133, 159, 219.
- **Screen lateral flange diameter (mm):** 25, 32, 40, 50, 65, 80.
- **Vertical hub flange diameter (mm):** 50, 65, 80, 100, 125, 150.
- **Number of screen lateral:** 4, 6, 8, 10, 12.
- **Wedge wire hub radial lateral assemblies**
 - Connection type



Thread hub radial lateral assembly



Flange hub radial lateral assembly

• Common type



WWA-1: Four branch hub assembly



WWA-2: Six down branch hub assembly



WWA-3: Six up branch hub assembly



WWA-4: Eight branch hub assembly

Table 3: Specification of Wedge Wire Hub Radial Lateral Assemblies

Item	Screen Lateral Length (mm)	Diameter of WWA-1 (mm)	Diameter of WWA-2 (mm)	Diameter of WWA-3 (mm)	Diameter of WWA-4 (mm)
WWHLA-01	82	258	259	258	-
WWHLA-02	113	316	321	316	-
WWHLA-03	144	374	383	374	-
WWHLA-04	175	432	445	432	-
WWHLA-05	206	491	507	491	520
WWHLA-06	237	549	569	549	580
WWHLA-07	268	607	631	607	640
WWHLA-08	299	665	693	665	699
WWHLA-09	330	724	755	724	759
WWHLA-10	361	782	817	782	819
WWHLA-11	392	840	879	840	879
WWHLA-12	423	898	941	898	939
WWHLA-13	454	957	1003	957	999
WWHLA-14	485	1015	1065	1015	1059
WWHLA-15	516	1073	1127	1073	1119
WWHLA-16	547	1131	1189	1131	1179
WWHLA-17	578	1189	1251	1189	1239
WWHLA-18	609	1247	1313	1247	1299
WWHLA-19	640	-	-	-	1359
WWHLA-20	671	-	-	-	1419
WWHLA-21	702	-	-	-	1479
WWHLA-22	733	-	-	-	1539
WWHLA-23	764	-	-	-	1599
WWHLA-24	795	-	-	-	1659

Hot products

- Wedge wire screen support grid.
- Single wedge wire nozzle.
- Long hand wedge wire nozzle.
- Radial external wedge wire tube.
- Ring type wedge wire screen cylinder.
- Flange type wedge wire screen cylinder.
- Reinforcement wedge wire cylinder.
- Wedge wire lateral assembly.

Our services

- Free consultation service.
- Strict inspections during production and before delivery.
- Choose the most suitable shipping company.
- After sale service.

Information supplied by the purchaser

The following information shall be supplied by the purchaser at the time of inquiry or order:

- Type.
- Size.
- Quantity.

WEDGE WIRE

Walcoom Corporation



Add: No. 3481, Yongxing Road, Hengshui City, Hebei Province, China.

Tel: +86-15030811699

Skype: wiremesh@live.com

E-mail: sales@walcoom.com

Web: <http://www.walcoom.com>

